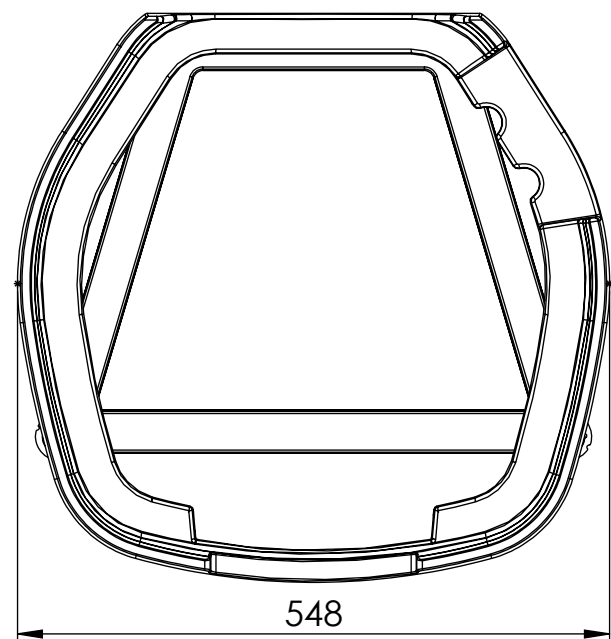
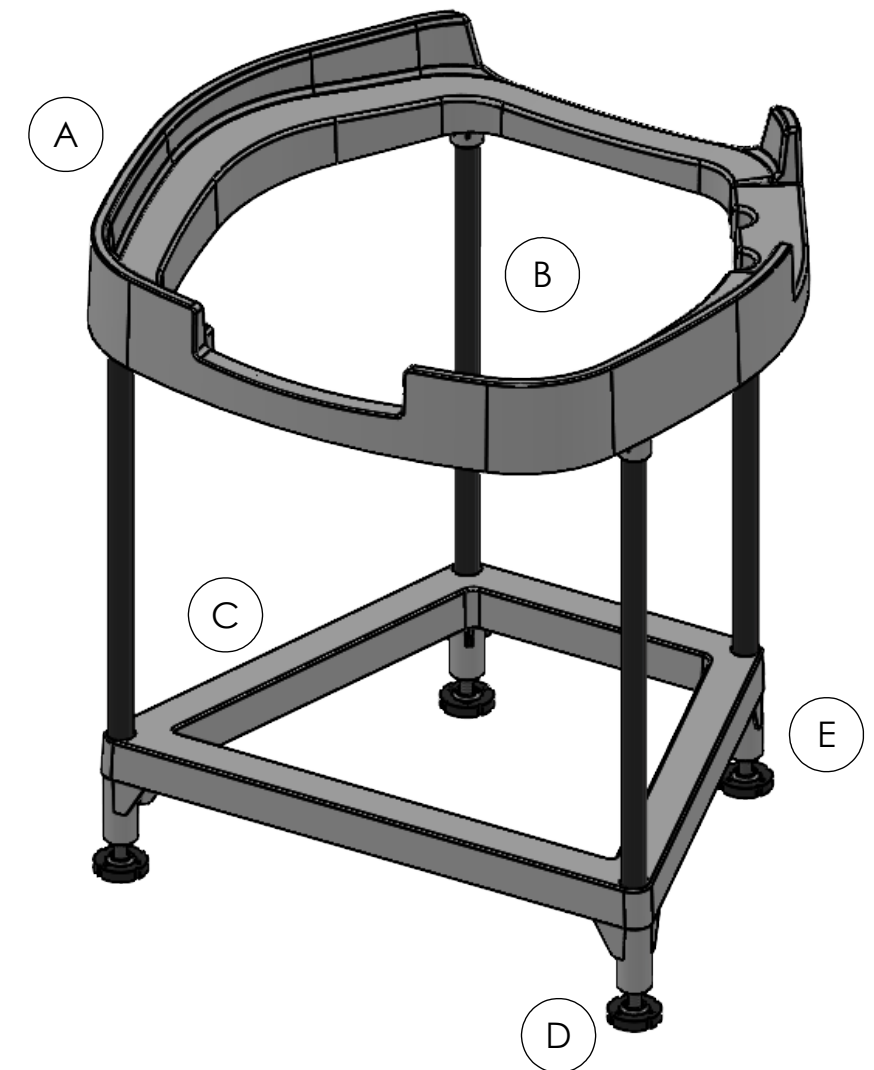


780080040600 - PIED STABILISATEUR can be regulated to adjust support height from 534 mm to 567 mm



No.	Qty	Code	Description
A	1	720010260800	PLATE SUPPORT TOP RING J1 EVO UPDATE
B	4	580030000200	TUBE ALUMINIUM 20X1.2X500
C	1	720030014800	SUPPORT ANNEAU INF
D	4	780080040600	PIED STABILISATEUR M10
E	4	620020004200	ECROU H M10X8 DIN 555



Modification description		Designer	ECN Modification	Date	Code	RL
Document code	Precision level for dimensions without tolerance indications has to be: <input type="checkbox"/> FINE <input type="checkbox"/> MEDIUM <input type="checkbox"/> COARSE <input type="checkbox"/> VERY COARSE EN 22768		ECN first creation	Date	08/02/2023	
$\text{F} = 0$	$\text{R} = 0$	$\text{S} = 0$	Drawing format	A3	Scale	1:5
Conformity requirements see the document named "Product Conformity Requirements N.R&D.TB005Tt"		Material		Replaces		
		Treatment		Code		
 Ariston Thermo SpA Viale A. Merloni 45 Fabriano (AN) 60044 Italy		Finishing		Description		
BY TERM LAWS WE RESERVE THE PROPERTY OF THIS DRAWING WITH PROHIBITION OF USE AND REPRODUCTION		Description		Code		
		J1 EVO UPDATE INSTALLATION KIT SUPPORT S2		560000280800		